

AFRA
FURNITURE

tables & bases





AFRA
FURNITURE

This complete catalogue highlights what AFRA offers best:
durability, sustainability, variety and design.



DESIGN AND IDENTITY

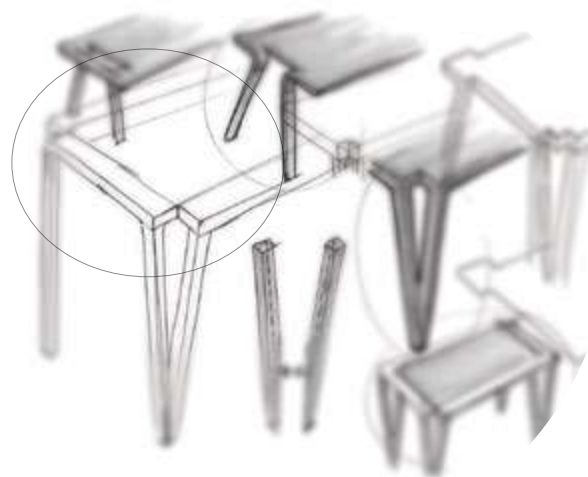
Industrial design representing comfort and innovation, using a broad spectrum of materials, technologies, finishes and colors. We are focused on diversity in design, suitable for any project and environment. AFRA is continuously looking to offer durability, purpose and harmony in all of our furniture.

CUSTOMER CARE

We are committed to clear and timely communication, efficient processes and optimal solutions for each project. Our objective is to help our customers to discover new ideas, design and inspiration for all areas and spaces.

SUSTAINABILITY

Our goal is to improve our quality of life, by supporting sustainability, innovation and training. We optimize our resources, and use waste management and emissions control. Our products are made to be easily recycled.



2 YEARS WARRANTY

Starting from the invoice date, products delivered shall be free of defects in workmanship and material for two years. Afra Furniture's liability is limited to the repair and/or replacement of the defective product as determined by Afra. The warranty doesn't cover regular wear and tear, or products subjected to alteration, misuse, abuse or improperly stored and maintained.

CARE AND MAINTENANCE

WOOD CARE

- Clean frequently using a soft, damp, clean cloth.
- Always dry after cleaning with a soft cloth.
- Remove liquid spills immediately to avoid absorption.
- Avoid prolonged exposure to direct sunlight, high humidity, extreme heat or cold, and moisture.

GLASS

- Our glass is high resistant according to norm EN ISO 12150.
- Clean with soft cloth and glass cleaning products.
- Dry immediately after cleaning.
- Do not use abrasive sponges that can scratch surface.
- Avoid direct impact to the glass, especially at the corners.

PLASTIC

- Clean with soft damp cloth and warm water.
- For persistent stains, liquid soap diluted in water can be used.
- Avoid detergents with acetone, trichloroethylene, ammonia and ethyl alcohol. They make shiny surfaces opaque.
- Avoid using materials or abrasive substances such as rough sponges, which can scratch plastic surfaces.
- Avoid prolonged exposure to direct sunlight, high humidity, extreme heat or cold, and moisture.

METAL

- Clean with soft damp cloth and warm water.
- For persistent stains, liquid soap diluted in water can be used.
- Always dry after cleaning with soft cloth or leather cloth.
- Do not use cleaning products for kitchenware or heavy-duty detergents.
- Avoid using materials which can scratch metallic surfaces.
- Avoid prolonged exposure to direct sunlight, high humidity, extreme heat or cold, and moisture.

TABLE BASES

06



AR KI-BASE
08



LIBERTY
54



BOLD
12



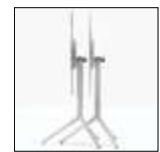
LUNAR
58



DREAM
18



PERMANENT
62



ELLIOT
22



QUADRA
64



IKON
26



STYLUS
66



INOX
32



TONDA
72



LAJA
48



YPSILON
76

TABLE TOPS

80



COMPACT SOLID LAMINATE TOPS
82



MARBLE TOPS
88



POLYETHYLENE TOPS
91



STAINLESS STEEL TOPS
92



STEEL TOPS
93



TEAK TOPS
94



TEMPERED GLASS TOPS
95

TABLES

96



AR KI-TABLE
98



LITTLE T
116



BABILA
102



MATRIX
120



BUDDY
104



PLANO
124



CAMEO
106



RONDO
128



JUMP
110



TRAY
130



KUADRO
112

FINISH OPTIONS

134



TABLE BASE

LEGEND

- /AC** Table base with brushed stainless steel column
- /LU** Table base with polished stainless steel column
- /CR** Table base with chromed column
- /ST** Table base with satin chrome steel
- /EC** Table base with corten column
- /OA** Table base with antique brass column
- /RM** Table base with antique copper column
- /BS** Table base with antique bronze column
- /TN** Table base with titanium column
- /AA** Table base with aluminium column

Tables bases include a cross for table top fix.

The letters following the table base number represent the finish.
All finishes are available from page 134.

ARKI-BASE



ARK3

ARKI-BASE



ARK4

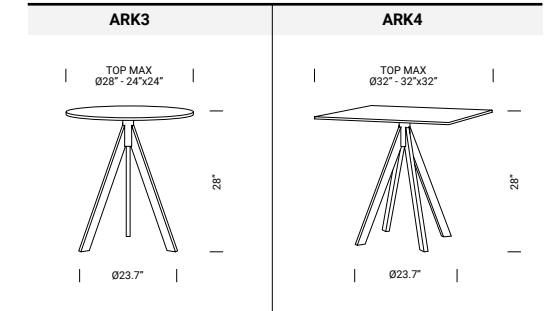
ARKI-BASE



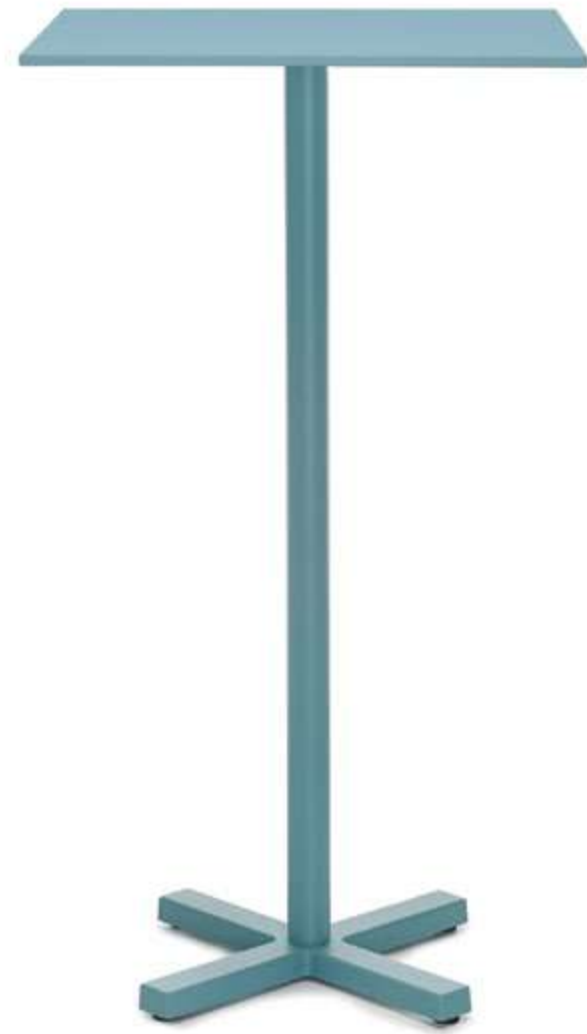
ARKI-BASE

MATERIAL & FINISHES:
POWDER COATED FINISHES FOR INDOOR & OUTDOOR / EC

(Table bases heights do not include table tops.)



BOLD



BOLD 4754

BOLD



ADJUSTABLE LEGS



BOLD



BOLD



BOLD 4752

BOLD



BOLD 4758

BOLD 4759

BOLD

MATERIAL & FINISHES:
POWDER COATED FINISHES FOR INDOOR & OUTDOOR

(Table bases heights do not include table tops.)

BOLD 4750	BOLD 4752	BOLD 4757	BOLD 4758	BOLD 4759
<p>TOP MAX Ø34" - 28"x28"</p> <p>28.75" (Ø2")</p> <p>18.90"x18.90"</p>	<p>TOP MAX Ø36" - 36"x36"</p> <p>28.75" (Ø2")</p> <p>27.55"x27.55"</p>	<p>TOP MAX 56"x36"</p> <p>28.75" (2xØ2")</p> <p>2x25"x3.35"</p>	<p>TOP MAX 63"x36"</p> <p>28.75" (2xØ2")</p> <p>38.60"x20.90"</p>	<p>TOP MAX 56"x36"</p> <p>28.75" (2xØ2")</p> <p>52"x23.65"</p>
BOLD 4754	BOLD 4756			
<p>TOP MAX Ø24" - 24"x24"</p> <p>43.3" (Ø2")</p> <p>18.90"x18.90"</p>	<p>TOP MAX Ø28" - 28"x28"</p> <p>43.3" (Ø2")</p> <p>27.55"x27.55"</p>			
BOLD 4753	BOLD 4752-50	BOLD 4757-50	BOLD 4758-50	BOLD 4759-50
<p>TOP MAX Ø30" - 28"x28"</p> <p>19.7" (Ø2")</p> <p>18.90"x18.90"</p>	<p>TOP MAX Ø36" - 36"x36"</p> <p>19.7" (Ø2")</p> <p>27.55"x27.55"</p>	<p>TOP MAX 56"x36"</p> <p>19.7" (2xØ2")</p> <p>2x25"x3.35"</p>	<p>TOP MAX 63"x36"</p> <p>19.7" (2xØ2")</p> <p>38.60"x20.90"</p>	<p>TOP MAX 56"x36"</p> <p>19.7" (2xØ2")</p> <p>52"x23.65"</p>

DREAM



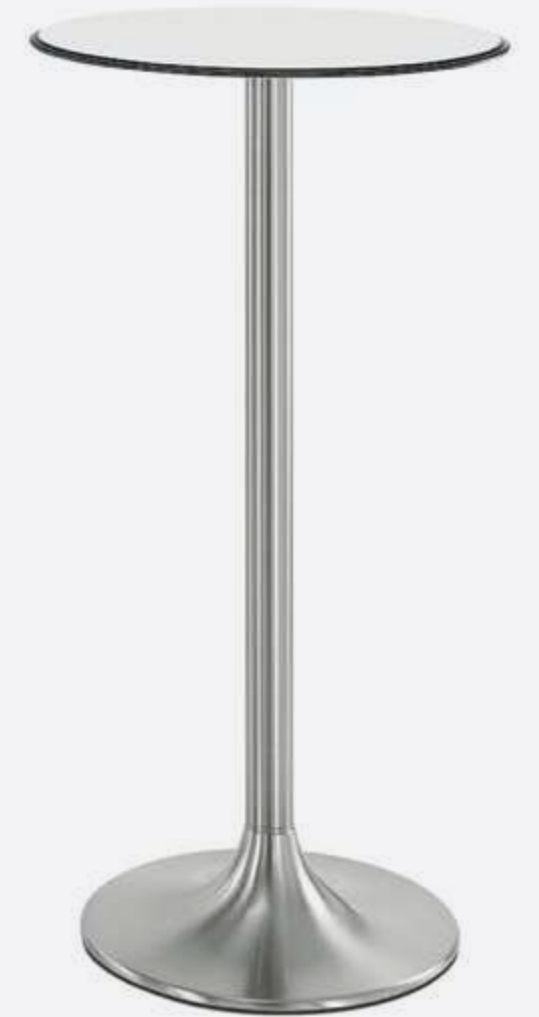
DREAM 4841/ST



DREAM 4811/ST



DREAM 4803/CR



DREAM 4834/AC

DREAM

DREAM



DREAM 4830

DREAM 4843

DREAM



DREAM 4803/CR



DREAM 4840

MATERIAL & FINISHES:
FINISHES AVAILABLE WITH EACH TABLE BASE SPEC

(Table bases heights do not include table tops.)

DREAM 4803	DREAM 4830/4831	DREAM 4843
POWDER COATED INDOOR & OUTDOOR / CR / AC	POWDER COATED INDOOR & OUTDOOR / CR / AC	POWDER COATED INDOOR & OUTDOOR / CR / AC
TOP MAX Ø32" 28.75" (Ø2.4") 15.75"	TOP MAX Ø36" - 26"x26" 28.75" (Ø2.4") 18.15"	TOP MAX Ø52" - 36"x36" 28.75" (Ø2.4") 22"
DREAM 4834	DREAM 4844	
POWDER COATED INDOOR & OUTDOOR / CR / AC	POWDER COATED INDOOR & OUTDOOR / CR / AC	
TOP MAX Ø28" 48.3" (Ø2.4") 18.15"	TOP MAX Ø32" 48.3" (Ø2.4") 22"	
DREAM 4800	DREAM 4810	DREAM 4840
POWDER COATED INDOOR & OUTDOOR	POWDER COATED INDOOR & OUTDOOR	POWDER COATED INDOOR & OUTDOOR
TOP MAX Ø32" 28.75" (Ø7.1") 15.75"	TOP MAX Ø36" - 26"x26" 28.75" (Ø7.1") 18.15"	TOP MAX Ø52" - 36"x36" 28.75" (Ø7.1") 22"
DREAM 4811	DREAM 4841	
CR, ST	CR, ST	
TOP MAX Ø36" - 26"x26" 28" (Ø11") 18.15"	TOP MAX Ø52" - 36"x36" 28.15" (Ø11") 22"	
DREAM 4803-50	DREAM 4833	DREAM 4843-50
POWDER COATED INDOOR & OUTDOOR / CR / AC	POWDER COATED INDOOR & OUTDOOR / CR / AC	POWDER COATED INDOOR & OUTDOOR / CR / AC
TOP MAX Ø32" 19.7" (Ø2.4") 15.75"	TOP MAX Ø36" - 26"x26" 19.7" (Ø2.4") 18.15"	TOP MAX Ø52" - 36"x36" 19.7" (Ø2.4") 22"

ELLIOT



ELLIOT 5476/TN

ELLIOT



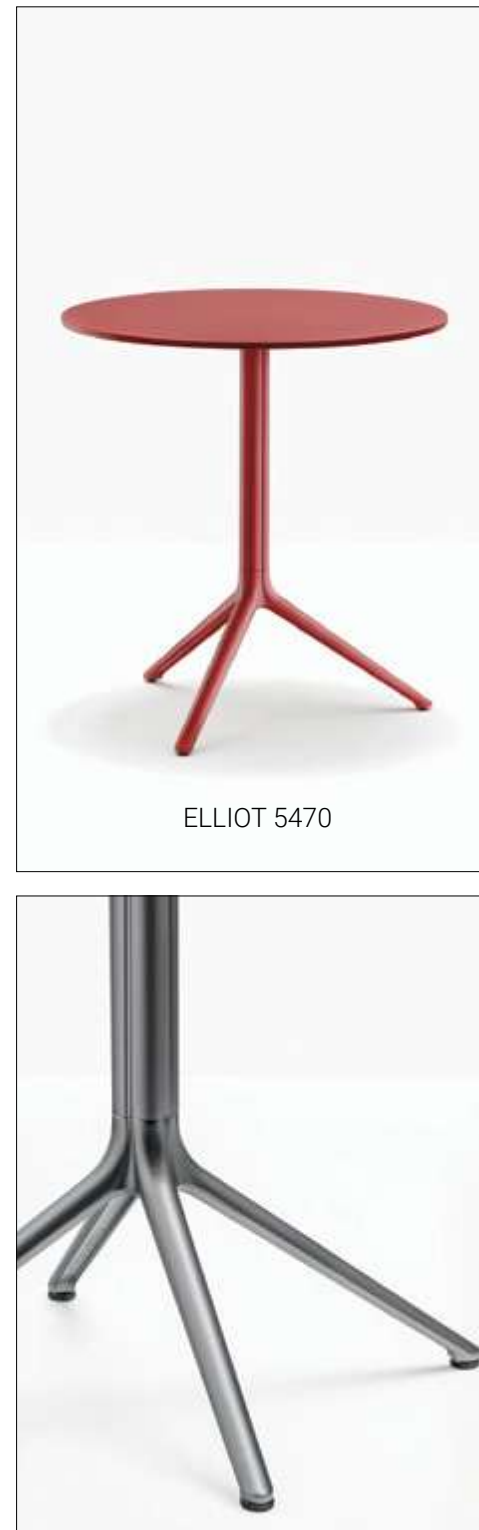
ELLIOT 5470

ELLIOT



ELLIOT 5475/TN

ELLIOT



ELLIOT 5470

MATERIALS & FINISHES:
POWDER COATED FINISHES FOR OUTDOOR

(Table bases heights do not include table tops.)

ELLIOT 5470T	ELLIOT 5475
ELLIOT 5474T	ELLIOT 5476
	ELLIOT 5475-50

IKON

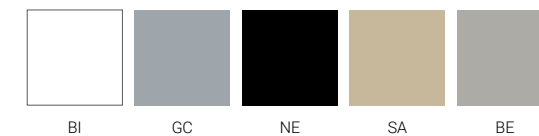


IKON 863



IKON

POLYPROPYLENE & POLYETHYLENE FINISHES



IKON 865



IKON 863

IKON

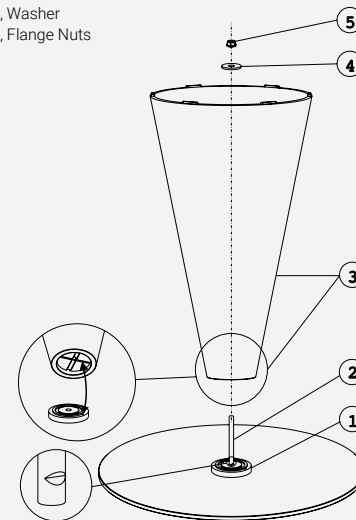


IKON 865

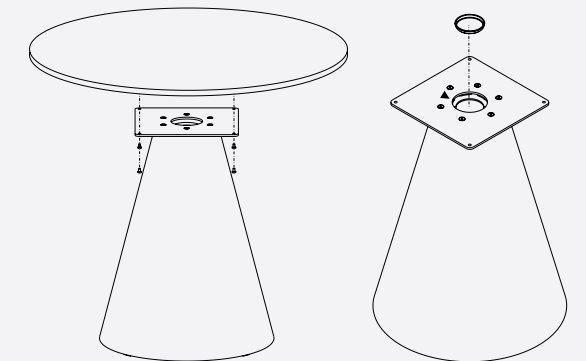
IKON



- 1, See assembly instructions for glass top
- 2, Threaded rod
- 3, Column
- 4, Washer
- 5, Flange Nuts



WEIGHTING DOWN:
 It is advisable to fill up the column with sand or water (see data in the table below)
 - Remove the cap
 - Fill up with water or sand
 Add anti-fouling substance in case of water ballast.
 - Put the cap
ASSEMBLY:
 Screw the screws to the top





IKON 867

MATERIALS & FINISHES:
FINISHES AVAILABLE WITH EACH TABLE BASE SPEC

(Table bases heights do not include table tops.)

IKON 865	IKON 865V	IKON 866	IKON 869	IKON 869/2
POLYPROPYLENE	POLYPROPYLENE	POLYPROPYLENE WITH BALLAST	POLYETHYLENE	POLYETHYLENE
TOP MAX Ø32" - 28"x28"	TOP MAX Ø32"	TOP MAX Ø44" - 36"x36"	TOP MAX Ø71"	HPL Ø51"-Ø63" LAM Ø52"-Ø71"
27.96"	27.75"	28.15"	27.95"	27.95"
Ø15.75"	Ø15.75"	Ø15.75"	Ø21.65"	Ø21.65"
	IKON 867 POLYETHYLENE			
	TOP MAX Ø28" - 24"x24"			
	41.75"			
	Ø16.55"			
IKON 863 POLYPROPYLENE	IKON 863V POLYPROPYLENE			
TOP MAX Ø28"	TOP MAX Ø24"			
18.15"	17.9"			
Ø12.4"	Ø12.4"			



INOX



INOX 4901



INOX



INOX 4401/OA

INOX



INOX



INOX 4401/RM



INOX 4401



INOX 4401/AC



INOX 4903/AC

MATERIAL & FINISHES:
FINISHES AVAILABLE WITH EACH TABLE BASE SPEC

(Table bases heights do not include table tops.)

INOX 4400/4401 POWDER COATED INDOOR / AC / LU / EC / OA / RM / BS	INOX 4412 POWDER COATED INDOOR / AC / LU / EC / OA / RM / BS	INOX 4410/4411 POWDER COATED INDOOR / AC / LU	INOX 4430/4431 POWDER COATED INDOOR / AC / LU / EC / OA / RM / BS	INOX 4437 AC	INOX 4901 AC
	INOX 4404 POWDER COATED INDOOR / AC / LU / EC / OA / RM / BS 	INOX 4414 POWDER COATED INDOOR / AC / LU 	INOX 4434 POWDER COATED INDOOR / AC / LU / EC / OA / RM / BS 		
		INOX 4414R AC / CR 			
INOX 4400-50/4401-50 POWDER COATED INDOOR / AC / LU / EC / OA / RM / BS 	INOX 4412-50 POWDER COATED INDOOR / AC / LU / EC / OA / RM / BS 	INOX 4413 POWDER COATED INDOOR / AC / LU 	INOX 4433 POWDER COATED INDOOR / AC / LU 		INOX 4903 AC



INOX 4402



INOX 4402/EC



INOX 4402



INOX 4402H



MATERIAL & FINISHES:
FINISHES AVAILABLE WITH EACH TABLE BASE SPEC

(Table bases heights do not include table tops.)

INOX 4402 POWDER COATED INDOOR / AC / LU / EC / OA / RM / BS	INOX 4402H ST	INOX 4420/4421 POWDER COATED INDOOR / AC / LU	INOX 4440/4441 POWDER COATED INDOOR / AC / LU	INOX 4452 POWDER COATED INDOOR / AC / LU
INOX 4406 POWDER COATED INDOOR / AC / EC / OA / RM / BS	INOX 4406H ST	INOX 4424 POWDER COATED INDOOR / AC / LU	INOX 4444 POWDER COATED INDOOR / AC / LU	INOX 4456 POWDER COATED INDOOR / AC / LU
INOX 4402-50 POWDER COATED INDOOR / AC / LU / EC / OA / RM / BS		INOX 4423 POWDER COATED INDOOR / AC / LU	INOX 4443 POWDER COATED INDOOR / AC / LU	INOX 4452-50 POWDER COATED INDOOR / AC / LU

INOX



INOX 4471/AC

INOX

MATERIAL & FINISHES:
FINISHES AVAILABLE WITH EACH TABLE BASE SPEC

(Table bases heights do not include table tops.)

INOX 4470/4471	INOX 4472	INOX 4475
POWDER COATED INDOOR / AC / LU	POWDER COATED INDOOR / AC / LU	POWDER COATED INDOOR / AC / LU
TOP MAX 56"x36" HPL 50"x32" 	TOP MAX 48"x32" 	TOP MAX 48"x32"
INOX 4474		
POWDER COATED INDOOR / AC / LU		
TOP MAX 48"x28" 		
INOX 4473	INOX 4472-50	INOX 4475-50
POWDER COATED INDOOR / AC / LU	POWDER COATED INDOOR / AC / LU	POWDER COATED INDOOR / AC / LU
TOP MAX 56"x36" HPL 50"x32" 	TOP MAX 48"x32" 	TOP MAX 48"x32"



INOX



INOX 4462/AC



INOX 4461/AC

INOX

MATERIAL & FINISHES:
FINISHES AVAILABLE WITH EACH TABLE BASE SPEC

(Table bases heights do not include table tops.)

INOX 4462	INOX 4467	INOX 4460/4461
POWDER COATED INDOOR / AC / LU	POWDER COATED INDOOR / AC / LU	POWDER COATED INDOOR / AC / LU
TOP MAX 63"x36" 29.55"x15.75" 28.75" (24.815"x3.15")	TOP MAX 63"x36" 29.55"x15.75" 28.75" (24.2"x2")	TOP MAX 63"x36" 29.55"x15.75" 28.75" (24.815")
INOX 4466		INOX 4464
POWDER COATED INDOOR / AC / LU		POWDER COATED INDOOR / AC / LU
TOP MAX 55"x28" 29.55"x15.75" 43.3" (24.815"x3.15")		TOP MAX 55"x28" 29.55"x15.75" 43.3" (24.815")
INOX 4462-50	INOX 4467-50	INOX 4463
POWDER COATED INDOOR / AC / LU	POWDER COATED INDOOR / AC / LU	POWDER COATED INDOOR / AC / LU
TOP MAX 63"x36" 29.55"x15.75" 19.7" (24.815"x3.15")	TOP MAX 63"x36" 29.55"x15.75" 19.7" (24.2"x2")	TOP MAX 63"x36" 29.55"x15.75" 19.7" (24.815")



INOX

MATERIAL & FINISHES:
FINISHES AVAILABLE WITH EACH TABLE BASE SPEC

(Table bases heights do not include table tops.)

INOX 4490/4491	INOX 4492	INOX 4497	INOX 4499
POWDER COATED INDOOR / AC / LU	POWDER COATED INDOOR / AC / LU	AC / LU	AC
INOX 4494			
POWDER COATED INDOOR / AC / LU			
	<p>DETAIL: INOX 4491/AC</p>		
INOX 4493	INOX 4492-50		
POWDER COATED INDOOR / AC / LU	POWDER COATED INDOOR / AC / LU		



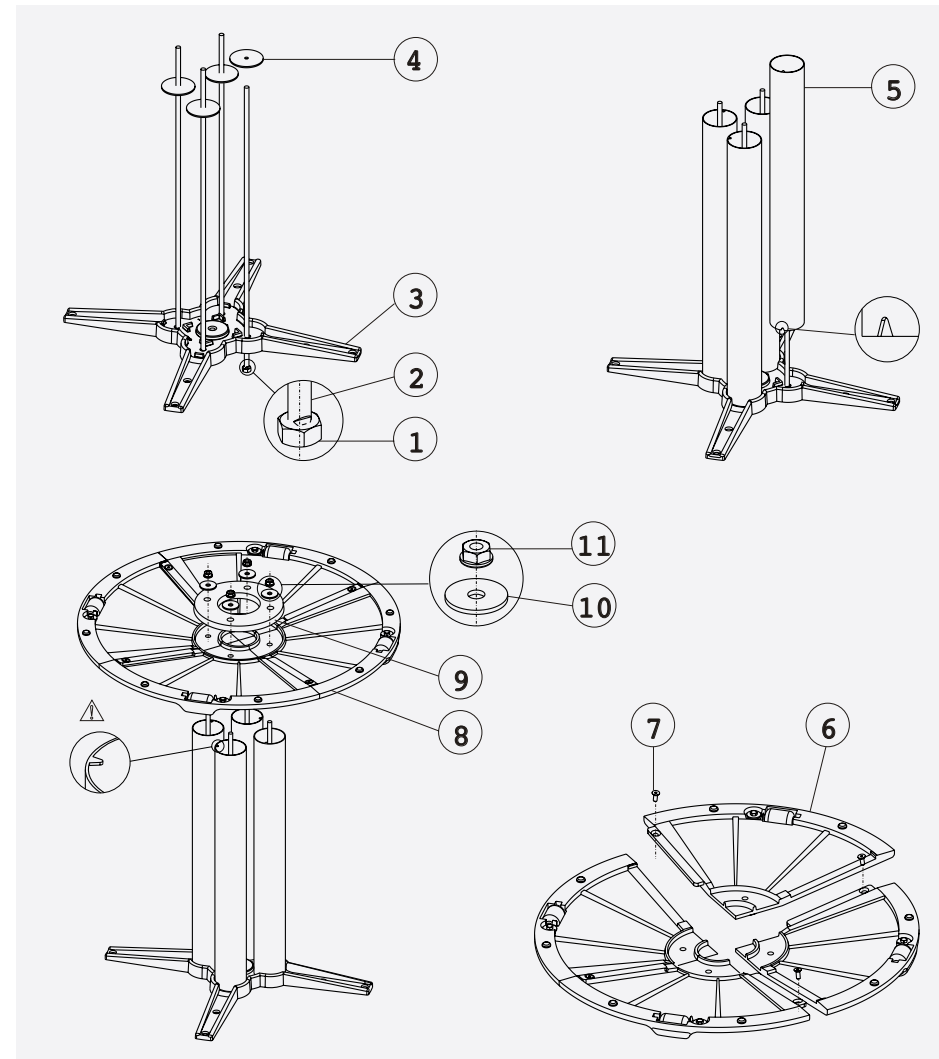
INOX 4499/AC

INOX-PROFESSIONAL

MATERIALS & FINISHES:
POWDER COATED INDOOR

(Table bases heights do not include table tops.)

PROFESSIONAL 4580



- 1, Nut
- 2, Threaded rod
- 3, Cast iron cross
- 4, Cardboard washer
- 5, Tube
- 6, 1/4 Base
- 7, Schraube
- 8, Base
- 9, Ring
- 10, Washer
- 11, Flange nut



INOX-PROFESSIONAL 4580





LAJA



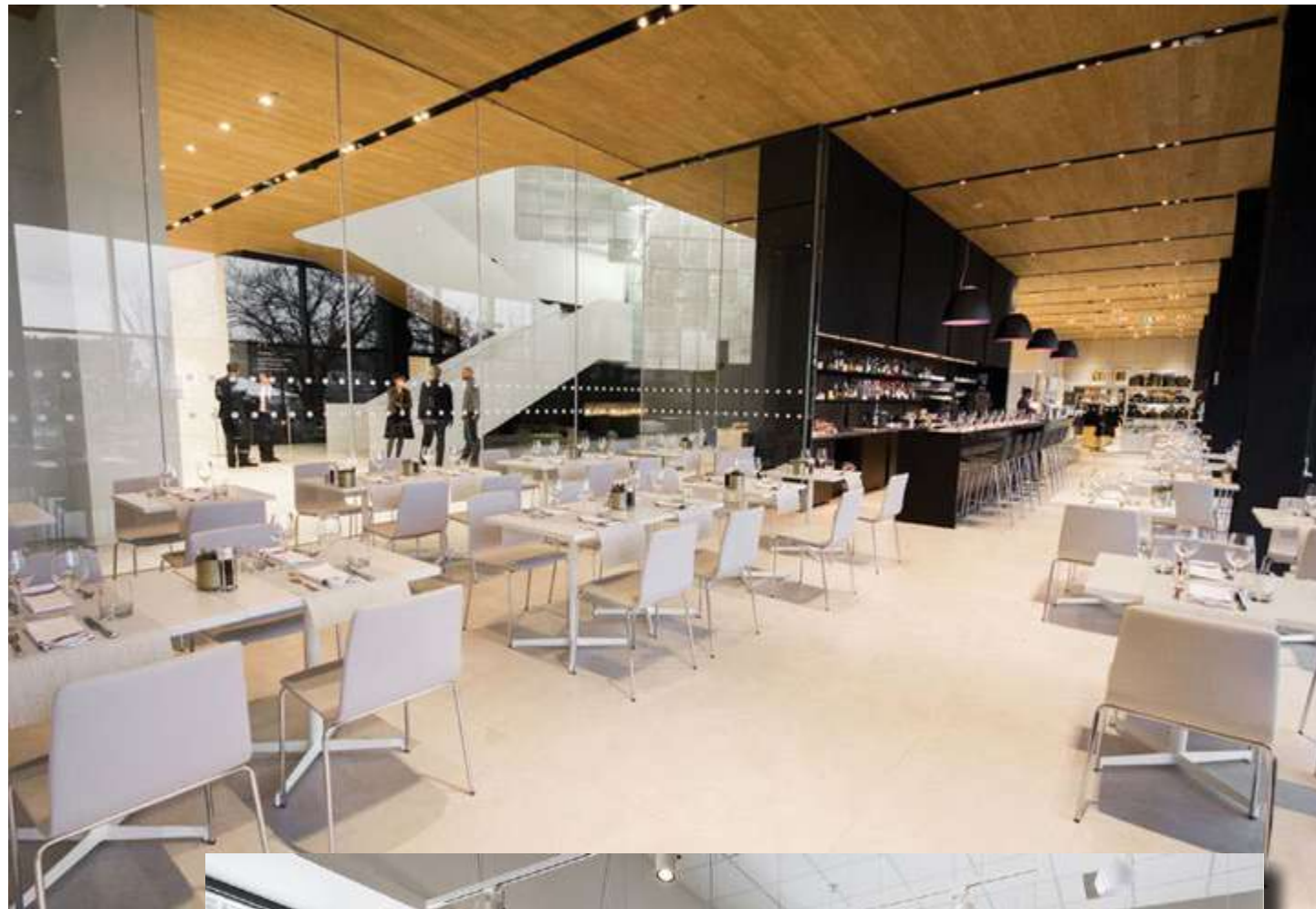
LAJA 5420

LAJA



LAJA 5420





MATERIAL & FINISHES:
POWDER COATED FINISHES FOR INDOOR & OUTDOOR / LU / OA / TN

(Table bases heights do not include table tops.)

LAJA 5420	LAJA 5430
LAJA 5424	LAJA 5434
LAJA 5420-40	LAJA 5430-40

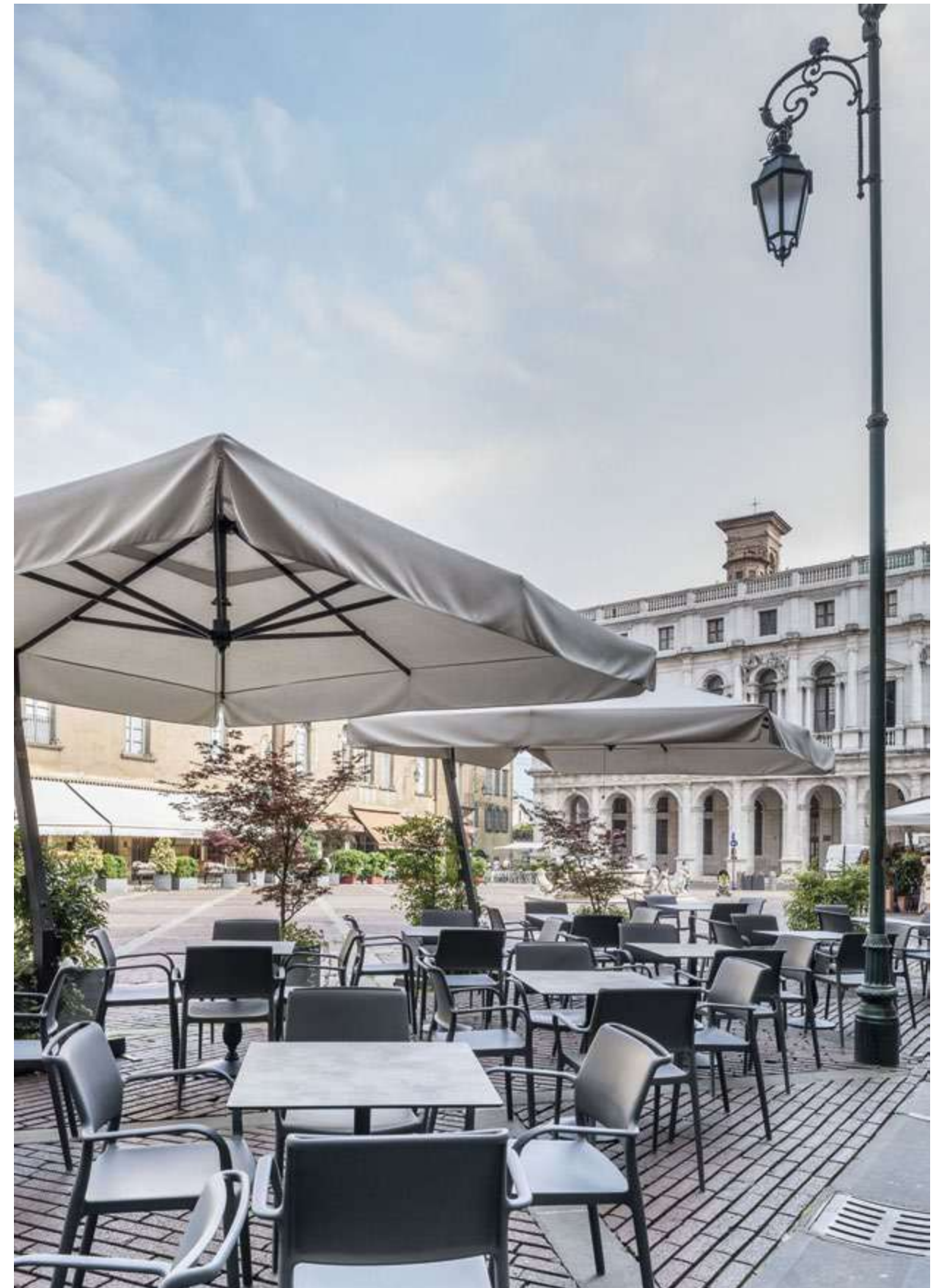
LIBERTY



LIBERTY 4200



LIBERTY



LIBERTY



LIBERTY 4220

LIBERTY

MATERIAL & FINISHES:
POWDER COATED FINISHES FOR INDOOR & OUTDOOR

(Table bases heights do not include table tops.)

LIBERTY 4200	LIBERTY 4210	LIBERTY 4230	LIBERTY 4220
<p>TOP MAX Ø34" - 24"x24"</p> <p>28.75" (Ø4.75")</p> <p>15.75"</p>	<p>TOP MAX Ø52" - 36"x36"</p> <p>28.75" (Ø4.75")</p> <p>21.65"</p>	<p>TOP MAX Ø60" - 40"x40"</p> <p>28.75" (Ø4.75")</p> <p>23.65"</p>	<p>TOP MAX 60"x36"</p> <p>28.75" (Ø4.75")</p> <p>29.95"x18.15"</p>





LUNAR 5444



LUNAR 5443



LUNAR 5440

LUNAR



LUNAR 5440



LUNAR 5443



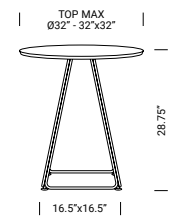
LUNAR 5444

LUNAR

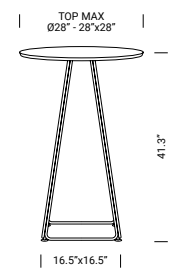
MATERIAL & FINISHES:
POWDER COATED INDOOR

(Table bases heights do not include table tops.)

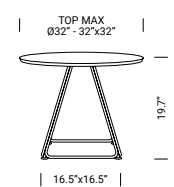
LUNAR 5440



LUNAR 5444



LUNAR 5443



PERMANENT

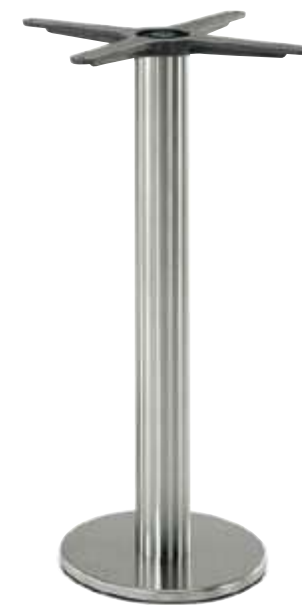


PERMANENT 4724/AC

PERMANENT 4721/CR



PERMANENT 4738



PERMANENT 4731/AC



PERMANENT

MATERIAL & FINISHES:
FINISHES AVAILABLE WITH EACH TABLE BASE SPEC

(Table bases heights do not include table tops.)

PERMANENT4720/4721	PERMANENT4731	PERMANENT4738	PERMANENT4739
POWDER COATED INDOOR / CR / AC	AC / LU	AC	AC
PERMANENT4724	PERMANENT4734		
POWDER COATED INDOOR / CR / AC	AC / LU		
PERMANENT4723	PERMANENT4733		
POWDER COATED INDOOR / CR / AC	AC / LU		

QUADRA



QUADRA 4560



QUADRA 4160



QUADRA

MATERIAL & FINISHES:
POWDER COATED FINISHES FOR INDOOR & OUTDOOR

(Table bases heights do not include table tops.)

QUADRA 4160	QUADRA 4570	QUADRA 4560
QUADRA 4164	QUADRA 4574	QUADRA 4564
QUADRA 4163	QUADRA 4573	QUADRA 4563



DETAIL: QUADRA 4160/AC



QUADRA 4570

STYLUS



STYLUS 5402

STYLUS



STYLUS 5400





STYLUS



STYLUS

MATERIAL & FINISHES:
POWDER COATED FINISHES INDOOR

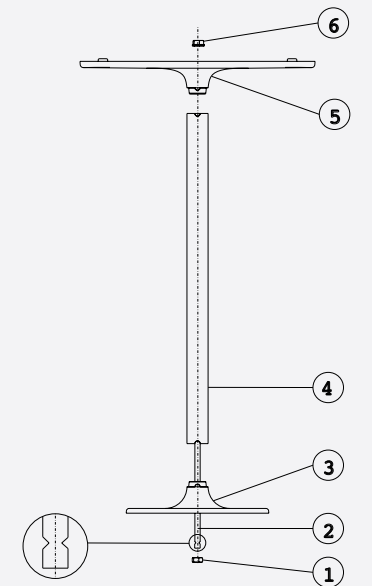
(Table bases heights do not include table tops.)

STYLUS 5402	STYLUS 5400	STYLUS 5410
	STYLUS 5404	
STYLUS 5402-50	STYLUS 5403	STYLUS 5413



STYLUS 5400

- 1, Nut
- 2, Threaded rod
- 3, Cast iron cross
- 4, Tube
- 5, Base
- 6, Flanged





TONDA 4154R/CR



TONDA 4151/AC



TONDA 4554/AC

TONDA



TONDA



TONDA 4150/CR



TONDA 4150

MATERIAL & FINISHES:
FINISHES AVAILABLE WITH EACH TABLE BASE SPEC

(Table bases heights do not include table tops.)

TONDA 4150/4151	TONDA 4530	TONDA 4550/4551	TONDA 4700
POWDER COATED INDOOR & OUTDOOR / CR / AC	POWDER COATED INDOOR & OUTDOOR	POWDER COATED INDOOR & OUTDOOR / CR / AC	POWDER COATED INDOOR & OUTDOOR
TONDA 4154	TONDA 4534	TONDA 4554	
POWDER COATED INDOOR & OUTDOOR / CR / AC	POWDER COATED INDOOR & OUTDOOR	POWDER COATED INDOOR & OUTDOOR / CR / AC	
TONDA 4154R		TONDA 4555	
POWDER COATED INDOOR / CR / AC		POWDER COATED INDOOR / CR / AC	
TONDA 4155			
POWDER COATED INDOOR / CR / AC			
TONDA 4153	TONDA 4533	TONDA 4553	TONDA 4703
CR / AC	POWDER COATED INDOOR & OUTDOOR	POWDER COATED INDOOR & OUTDOOR / CR / AC	POWDER COATED INDOOR & OUTDOOR

YPSILON



YPSILON 4790

YPSILON



YPSILON 4795

YPSILON



YPSILON



YPSILON 4797-50

MATERIAL & FINISHES:
FINISHES AVAILABLE WITH EACH TABLE BASE SPEC

(Table bases heights do not include table tops.)

YPSILON 4790T	YPSILON 4797	YPSILON 4795
POWDER COATED INDOOR & OUTDOOR / LU	POWDER COATED INDOOR & OUTDOOR / LU	POWDER COATED INDOOR & OUTDOOR / LU
YPSILON 4794T		
POWDER COATED INDOOR & OUTDOOR / LU		
	YPSILON 4797-50	YPSILON 4795-50
	POWDER COATED INDOOR & OUTDOOR / LU	POWDER COATED INDOOR & OUTDOOR / LU

TABLE TOPS



The Ocean Club Bahamas | A Four Seasons Resort



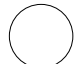






Colours are indicative. All sizes and dimensions could change within the tolerance of ± 0.2 ".
The table tops are distinguished by shape, dimensions, edge shape, core and top finish.
There are three available edges: flat, round and chamfered.

COMPACT SOLID LAMINATE TOPS

WHITE FULL COLOR CORE 



EDGE	CFC - CHAMFERED EDGE 	CFP - FLAT EDGE 
COLORS	WHITE	
	Ø19.30"	Ø19.30"
	Ø23.25"	Ø23.25"
	Ø27.15"	Ø27.15"
	Ø31.10"	Ø31.10"
	Ø35.00"	Ø35.00"
	Ø39.00"	Ø39.00"
	Ø46.85"	Ø46.85"
	Ø50.75"	Ø50.75"
	23.35"x23.35"	23.35"x23.35"
	27.15"x27.15"	27.15"x27.15"
	31.10"x31.10"	31.10"x31.10"
	35.00"x35.00"	35.00"x35.00"
	23.35"x23.35"	23.35"x23.35"
	27.15"x27.15"	27.15"x27.15"
	31.10"x31.10"	31.10"x31.10"
	35.00"x35.00"	35.00"x35.00"
	46.85"x31.10"	46.85"x31.10"
	50.80"x31.10"	50.80"x31.10"
	71"x43.50"	-
	47.25"x31.50"	-
	63"x37.50"	-
	71"x43.50"	-

CFC: COMPACT FULL WHITE COLOR CHAMFERED EDGE
CFP: COMPACT FULL WHITE COLOR FLAT EDGE



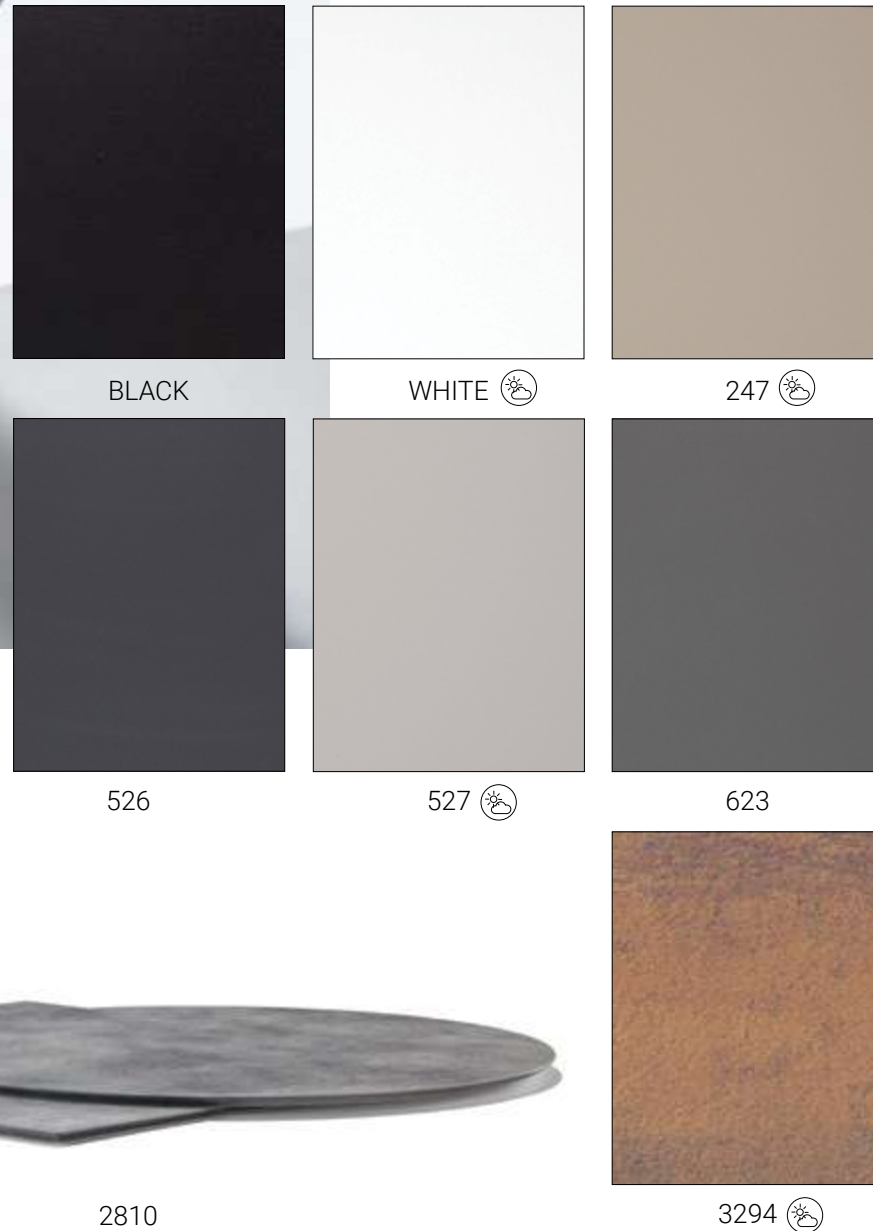
COMPACT SOLID LAMINATE TOPS

WHITE FULL COLOR CORE 



COMPACT SOLID LAMINATE TOPS

BLACK CORE



COMPACT SOLID LAMINATE TOPS

BLACK CORE

EDGE	COI - CHAMFERED EDGE	COM - ROUND EDGE	COP - FLAT EDGE	COI - CHAMFERED EDGE	COM - ROUND EDGE	COP - FLAT EDGE
COLORS	247		247 / 527 / 3294	BLACK / WHITE / 526 / 623		
	Ø19.30"			Ø19.30"		
	Ø23.25"			Ø23.25"		
	Ø27.15"			Ø27.15"		
	Ø31.10"			Ø31.10"		
	Ø35.00"			Ø35.00"		
	Ø39.00"			Ø39.00"		
	Ø46.85"			Ø46.85"		
	23.35"x23.35"			23.35"x23.35"		
	27.15"x27.15"			27.15"x27.15"		
	31.10"x31.10"			31.10"x31.10"		
	35"x35"			35"x35"		
	-			23.35"x23.35"		
	-			27.15"x27.15"		
	-			31.10"x31.10"		
	-			35"x35"		
	42.90"x27.15"			42.90"x27.15"		
	46.85"x31.10"			46.85"x31.10"		
	50.80"x31.10"			50.80"x31.10"		
	53.15"x31.10"			53.15"x31.10"		
	62.60"x31.10" (Only available for 3294)			62.60"x31.10"		

COI: COMPACT CHAMFERED EDGE COM: COMPACT ROUND EDGE COP: COMPACT FLAT EDGE



COMPACT SOLID LAMINATE TOPS

BROWN CORE



COMPACT SOLID LAMINATE TOPS

BROWN CORE

EDGE	COI - CHAMFERED EDGE	COM - ROUND EDGE	COP - FLAT EDGE	COP - FLAT EDGE	COP - FLAT EDGE
COLORS	4420 / 4384 / 4529 / 4512			4519 / 4543 / 4573 / 4575	4511 / 4517
	Ø19.30"			Ø19.30"	Ø19.30"
	Ø23.25"			Ø23.25"	Ø23.25"
	Ø27.15"			Ø27.15"	Ø27.15"
	Ø31.10"			Ø31.10"	Ø31.10"
	Ø35.00"			Ø35.00"	Ø35.00"
	Ø39.00"			Ø39.00"	Ø39.00"
	Ø46.85"			Ø46.85"	Ø46.85"
	23.35"x23.35"			23.35"x23.35"	23.35"x23.35"
	27.15"x27.15"			27.15"x27.15"	27.15"x27.15"
	31.10"x31.10"			31.10"x31.10"	31.10"x31.10"
	35"x35"			35"x35"	35"x35"
	-			-	23.35"x23.35"
	-			-	27.15"x27.15"
	-			-	31.10"x31.10"
	-			-	35"x35"
	-			-	-
	42.90"x27.15"			42.90"x27.15"	42.90"x27.15"
	46.85"x31.10"			46.85"x31.10"	46.85"x31.10"
	50.80"x31.10"			50.80"x31.10"	50.80"x31.10"
	53.15"x31.10"			53.15"x31.10"	53.15"x31.10"
	62.60"x31.10"			62.60"x31.10"	62.60"x31.10"
	(Only available for 4529 / 4512)				

COI: COMPACT CHAMFERED EDGE COM: COMPACT ROUND EDGE COP: COMPACT FLAT EDGE



MARBLE TOPS



MARBLE TOPS

EDGE	<p>FLAT EDGE 0.8"</p>
COLORS	<p>MBA MGC MED MVG MBC_Shiny MBC_Matt</p>
	<p>Ø23.65" Ø27.55" Ø31.50" Ø35.45"</p>
	<p>23.65"x23.65" 27.55"x27.55" 31.50"x31.50" 35.45"x35.45"</p>
	<p>47.25"x31.50"</p>



Set of tables with marble or solid laminate tops in black and white finishes. Different sizes available:

- 15.75"x15.75"x11.75"h
- 15.75"x15.75"x23.75"h
- 19.75"x19.75"x14.20"h
- 23.25"x23.25"x16.50"h
- 46.85"x23.25"x11.75"h

CODE
FOR INDOOR OR OUTDOOR USE



- POWDER COATED FRAME BI100 OR NEF WITH CFP_WHITE OR FNP_BLACK FOR INDOOR
- POWDER COATED FRAME BI100E WITH CFP_WHITE FOR OUTDOOR
- POWDER COATED FRAME BI100 WITH MBA MARBLE TOP FOR INDOOR
- POWDER COATED FRAME MG WITH MED MARBLE TOP FOR INDOOR
- POWDER COATED FRAME NEF WITH MGC OR MVG MARBLE TOP FOR INDOOR

MARBLE TOPS



CODE



POLYETHYLENE TOPS

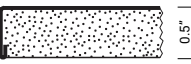

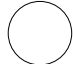




EDGE	<p>FLAT EDGE</p>
COLORS	<p>GC BI</p>
	<p>Ø23.65"</p>
	<p>27.55"x27.55"</p>





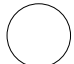

STAINLESS STEEL TOPS



EDGE	<p>FLAT EDGE</p> 
COLORS	 <p>STAINLESS STEEL AISI 304</p>
	<p>Ø23.10"</p> <p>Ø27.55"</p>
	<p>23"x23"</p> <p>27.55"x27.55"</p>
	<p>43.30"x27.55"</p>

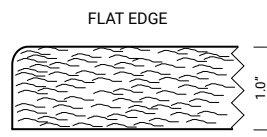
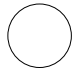
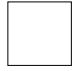



STEEL TOPS

EDGE	<p>FLAT EDGE</p> 
COLORS	
	<p>Ø23.10"</p> <p>Ø27.55"</p>
	<p>23"x23"</p> <p>27.55"x27.55"</p> <p>31.50"x31.50"</p>

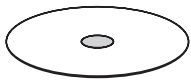

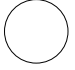



TEAK TOPS

EDGE	 <p>FLAT EDGE</p>
	Ø25.60"
	Ø31.50"
	23.65"x23.65"
	27.55"x27.55"
	31.50"x31.50"
	47.25"x31.50"



TEMPERED GLASS TOPS

EDGE	 <p>The stainless steel plate glued to the glass top is suitable for table bases with round tube Ø3" - Ø2.4" - Ø2" and column Ø3.5", Zenith and Plastic-X excluded.</p>
COLORS	 <p>TRA NER BIA</p>
	Ø23.65", thickness 0.4"
	Ø27.55", thickness 0.4"
	Ø35.45", thickness 0.4"
	Ø51.20", thickness 0.5"
	23.65"x23.65", thickness 0.4"



TABLES



Available with cable management and cover in the same finishes as the top and in different sizes.



Arrives fully assembled.



ARKI-TABLE



ARKW 118x39



ARKD 54



ARK 54x54

ARKI-TABLE



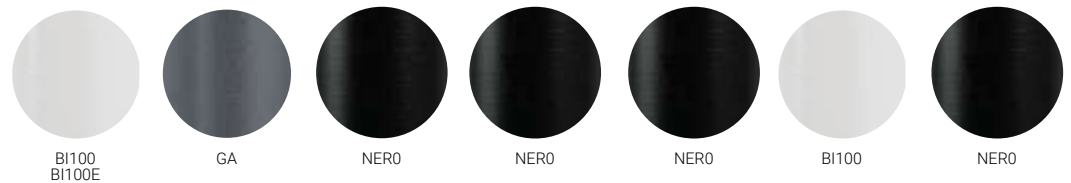
ARKI-TABLE



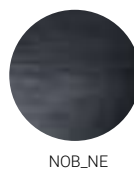
Solid laminate top



Powder-coated frame



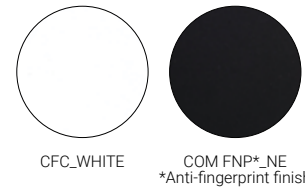
Melamine top



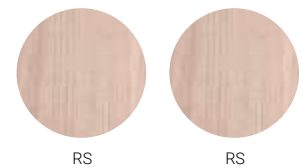
Powder-coated frame



Solid laminate top



Bleached oak frame



ARKI-TABLE

MATERIAL & FINISHES:
 TOP: FINISHES AVAILABLE WITH EACH TABLE SPEC
 FRAME: FINISHES AVAILABLE WITH EACH TABLE SPEC

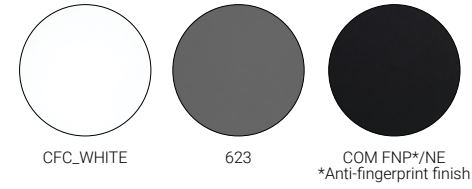
CC: with cable management

ARK 78/94/118x39	ARKW 78/94/118x39	ARK42_78x31
Three width sizes available. Table top and base finishes on page 100. 	Three width sizes available. Table top and base finishes on page 101. 	Table top and base finishes on page 100. Melamine top is not available.
ARK 94/118/141x47	ARKW 94/118/141x47	ARK42_78x31 CC
Three width sizes available. Table top and base finishes on page 100. 	Three width sizes available. Table top and base finishes on page 101. 	Table top and base finishes on page 100. Melamine top is not available.
ARK 94/118/141x47 CC	ARKW 94/118/141x47 CC	ARK5 31x31/35x35
Three width sizes available. Table top and base finishes on page 100. 	Three width sizes available. Table top and base finishes on page 101. 	Two sizes available.
ARK 94/118/141x47 CCO	ARKW 94/118/141x47 CCO	The table tops are available in solid laminate or laminate finish and metal or wooden base: As below, combination of the top and the base: Solid laminate tops: CFP_BI/BI100, 623/GA, COP_FNP_NE/NERO, Laminate tops: 406_0020/BI100, 4512/NERO, 4517/NERO, 4529/NERO, 0720/NERO, Wooden table base finishes on page 101.
Three width sizes available. Table top and base finishes on page 100. 	Three width sizes available. Table top and base finishes on page 101. 	
ARK 54x54	ARKW 54x54	ARK5 D39/43/46/50
Table top and base finishes on page 100. Melamine top is not available. 	Table top and base finishes on page 101. 	NERO / BI100 / GA
ARKD 54/62	ARKWD 54/62	The table tops are available in solid laminate or laminate finish and metal or wooden base: As below, combination of the top and the base: Solid laminate tops: CFP_BI/BI100, 623/GA, COP_FNP_NE/NERO, Laminate tops: 406_0020/BI100, 4512/NERO, 4517/NERO, 4529/NERO, 0720/NERO, Wooden table base finishes on page 101.
Two sizes available. Table top and base finishes on page 100. Melamine top is not available. 	Two sizes available. Table top and base finishes on page 101. 	

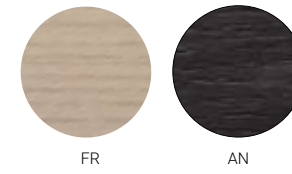
BABILA



Solid laminate top



Ash Frame



BABILA

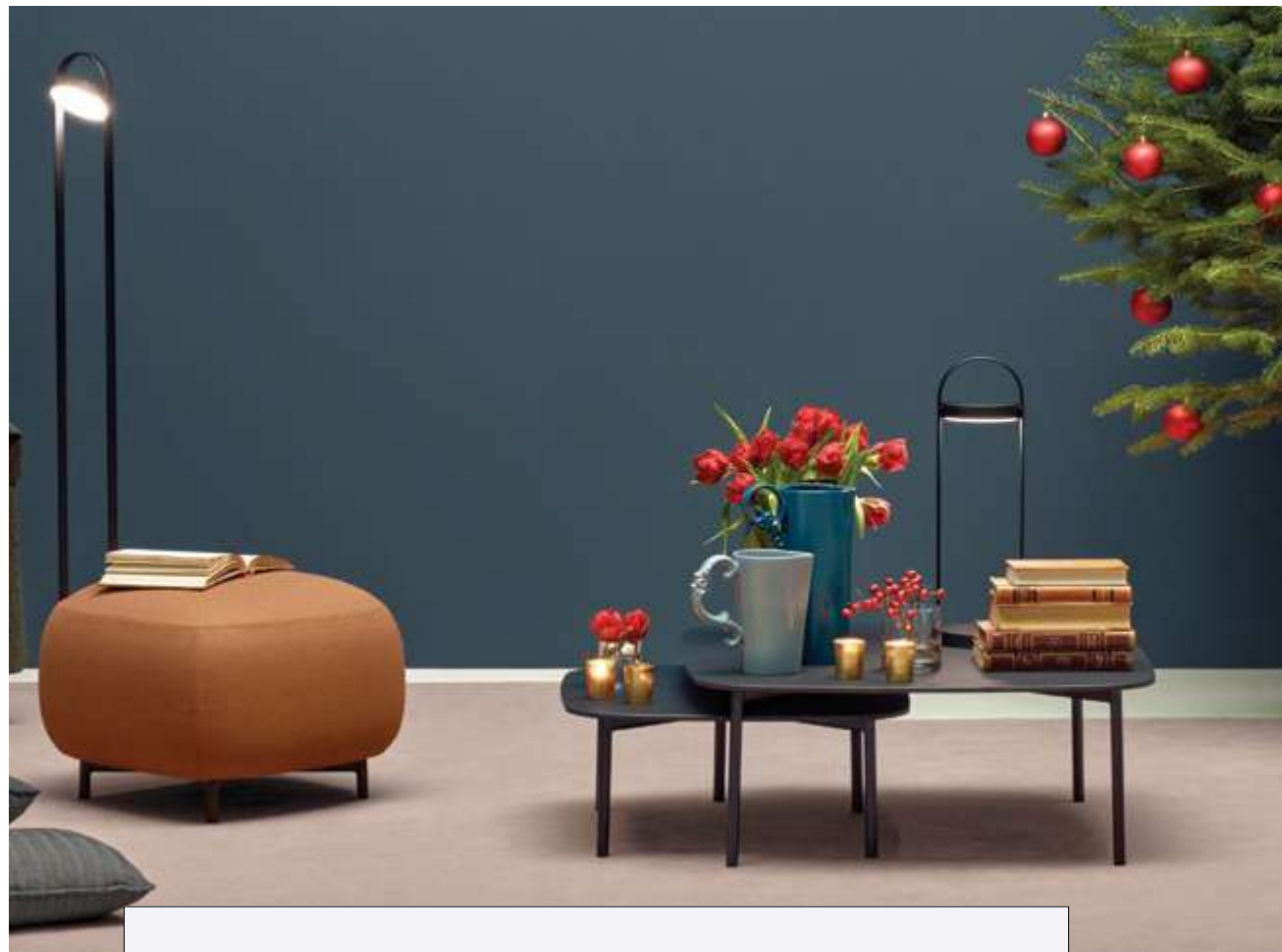
MATERIAL & FINISHES:
SOLID LAMINATE TOP WITH SOLID ASHWOOD LEGS FINISHES ON PAGE 103.

CC: with cable management

TBA 63/78x35	TBA 78/94x39CC
TBA 78/94/118x39	TBA 78/94x39CC2



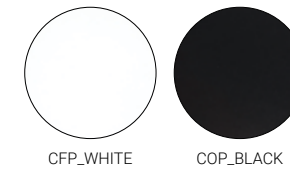
BUDDY



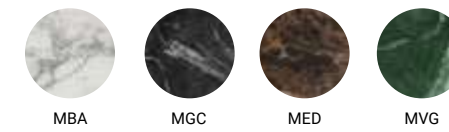
BDT 23X23X12

BUDDY

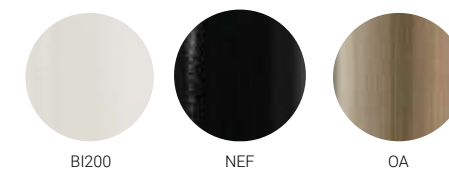
Solid laminate top



Marble top



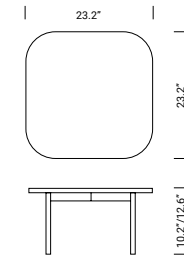
Metal frame



MATERIAL & FINISHES:
METAL FRAME WITH SOLID LAMINATE OR MARBLE TOP

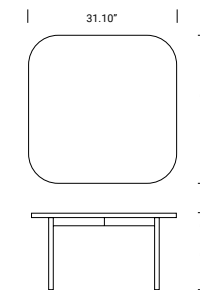
BDT 23x23x10/23x23x12

BI 200 FRAME WITH CFP_WHITE TOP
 NEF FRAME WITH CFP_WHITE TOP OR COP_BLACK, MBA OR MED OR MGC OR MVG MARBLE TOPS
 ANTIQUE BRASS COLUMN OA WITH CFP_WHITE TOP, MBA OR MED OR MVG MARBLE TOPS



BDT 31x31x10/31x31x12

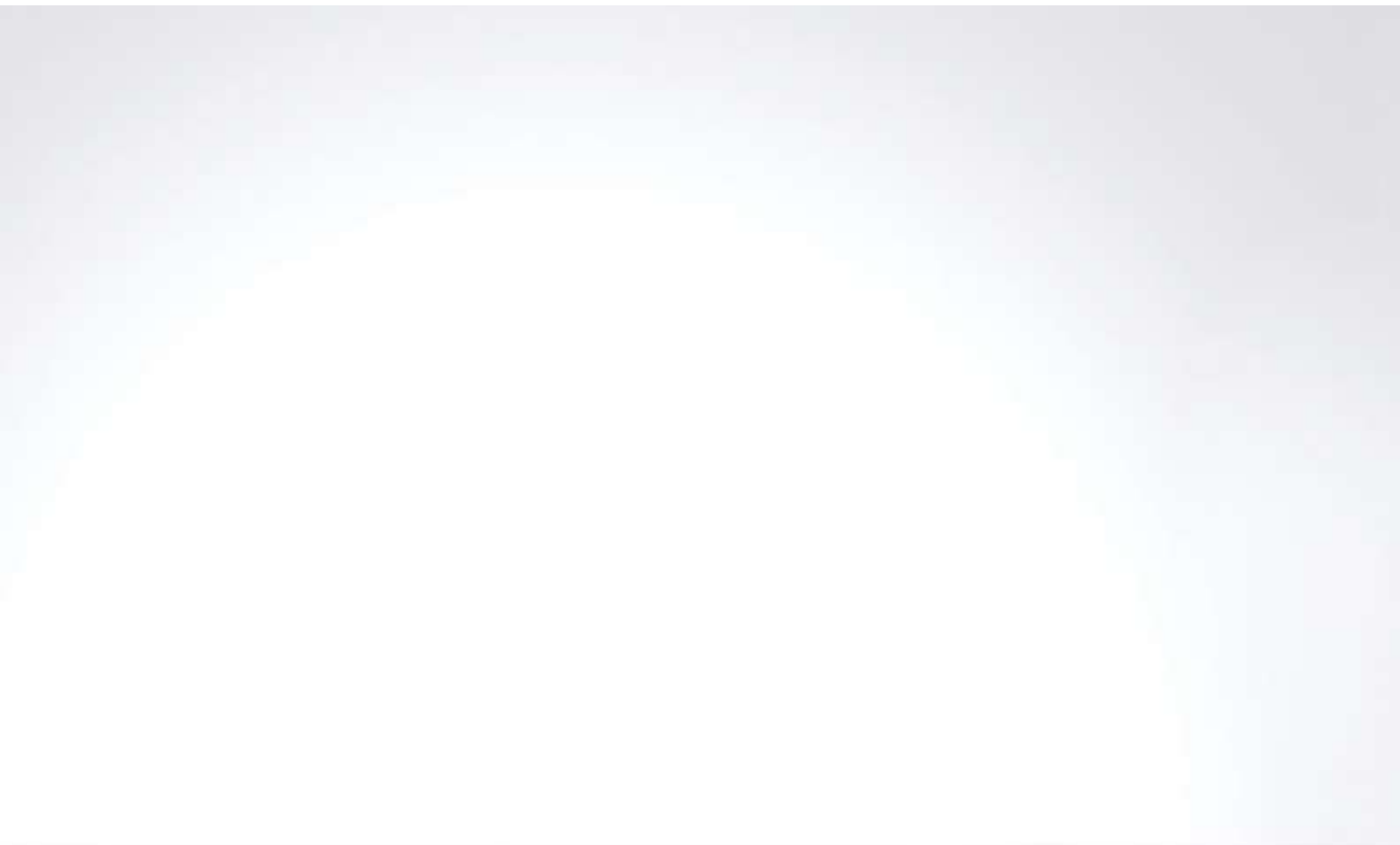
BI 200 FRAME WITH CFP_WHITE TOP
 NEF FRAME WITH CFP_WHITE TOP OR COP_BLACK, MBA OR MED OR MGC OR MVG MARBLE TOPS
 ANTIQUE BRASS COLUMN OA WITH CFP_WHITE TOP, MBA OR MED OR MVG MARBLE TOPS



BDT 23X23X10

BDT 31X31X12

CAMEO



CAMEO 102



CAMEO 96

CAMEO



CAMEO



CAMEO 99/2

CAMEO 99/3



CAMEO

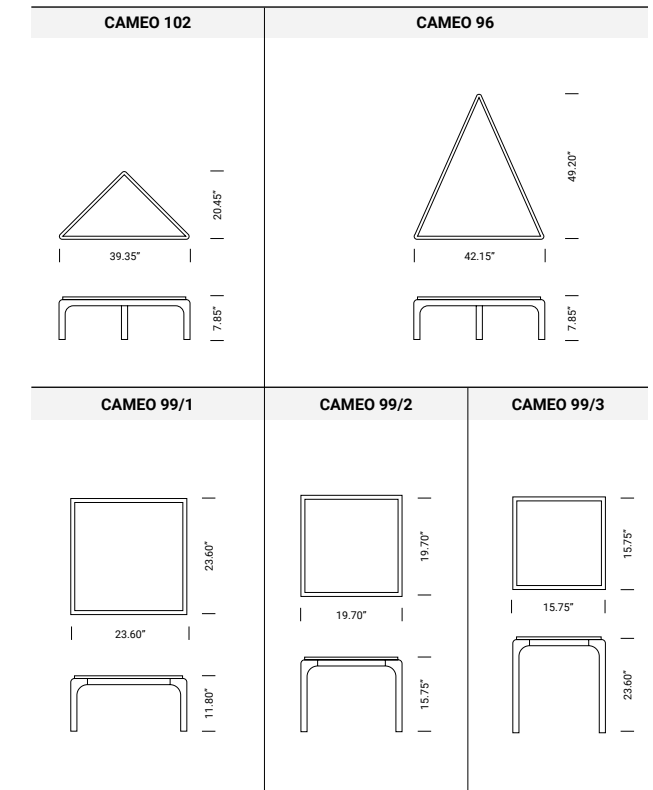
STAIN FINISH



Laminate top



MATERIAL & FINISHES:
 TOP: LAMINATE TOP MATCHING THE FRAME FINISH
 FRAME: BEECH WOOD FRAME



JUMP



TJ3_D31

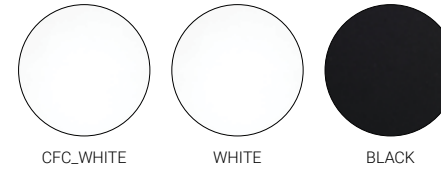


TJ3_D27



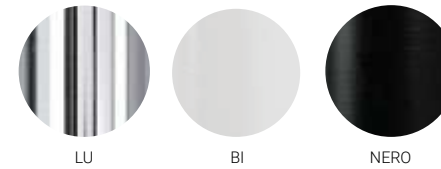
TJ4_46x31

Solid laminate top



CFC_WHITE WHITE BLACK

Frame Finishes



LU BI NERO



MATERIAL & FINISHES:
SOLID LAMINATE TOP AND FRAME FINISHES AVAILABLE IN POWDER COATED OR POLISHED STAINLESS STEEL FINISHES.
AVAILABLE ON PAGE 111

TJ3_D23	TJ3_D27	TJ3_D31	TJ4_D35	TJ4_D39
TJ4_23x23	TJ4_27x27	TJ4_31x31		TJ4_46x31



JUMP

KUADRO tables & desks



TK_54x31

tables & desks KUADRO

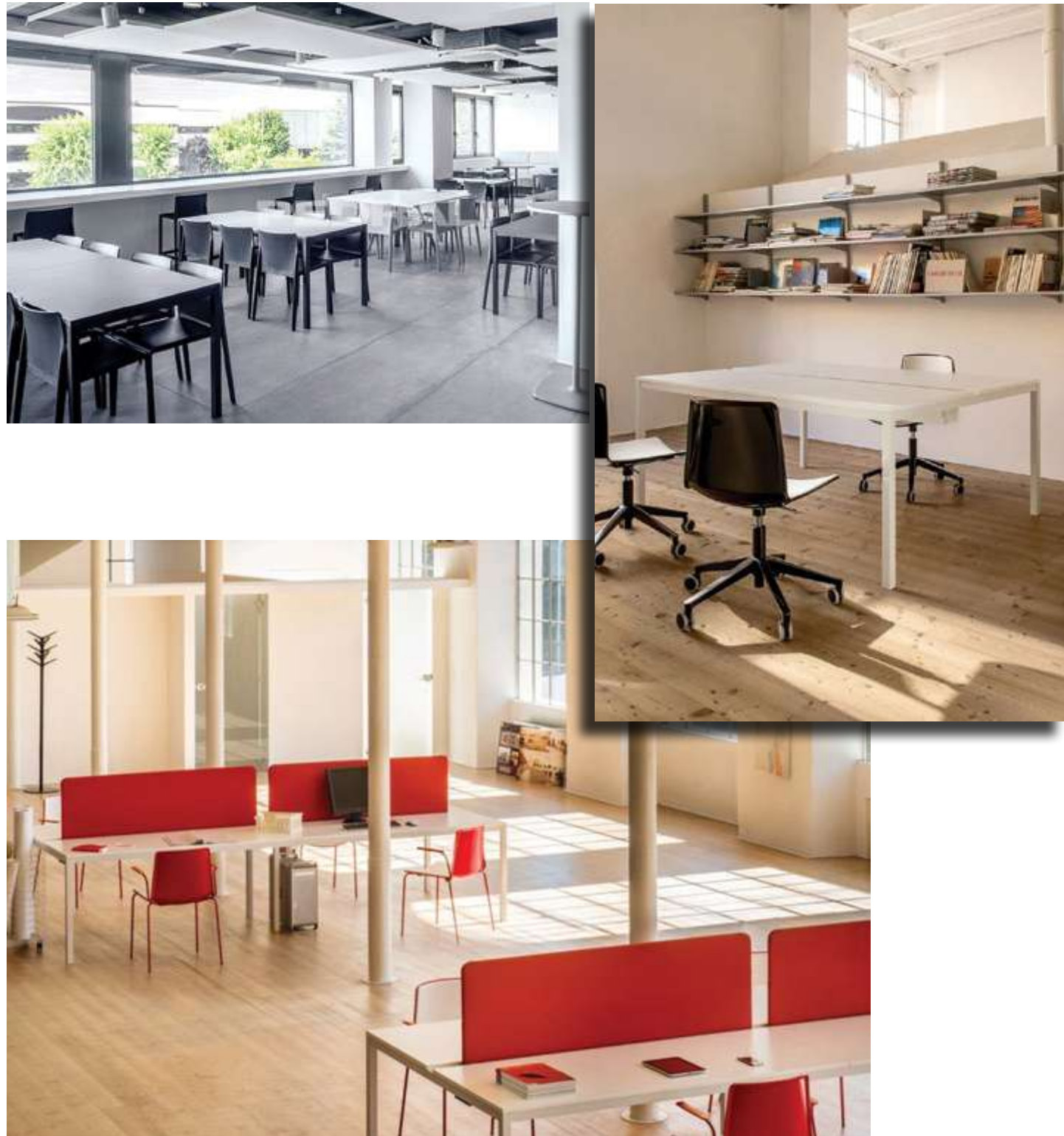


TK_46x46



TK_31x31

KUADRO tables & desks



tables & desks KUADRO

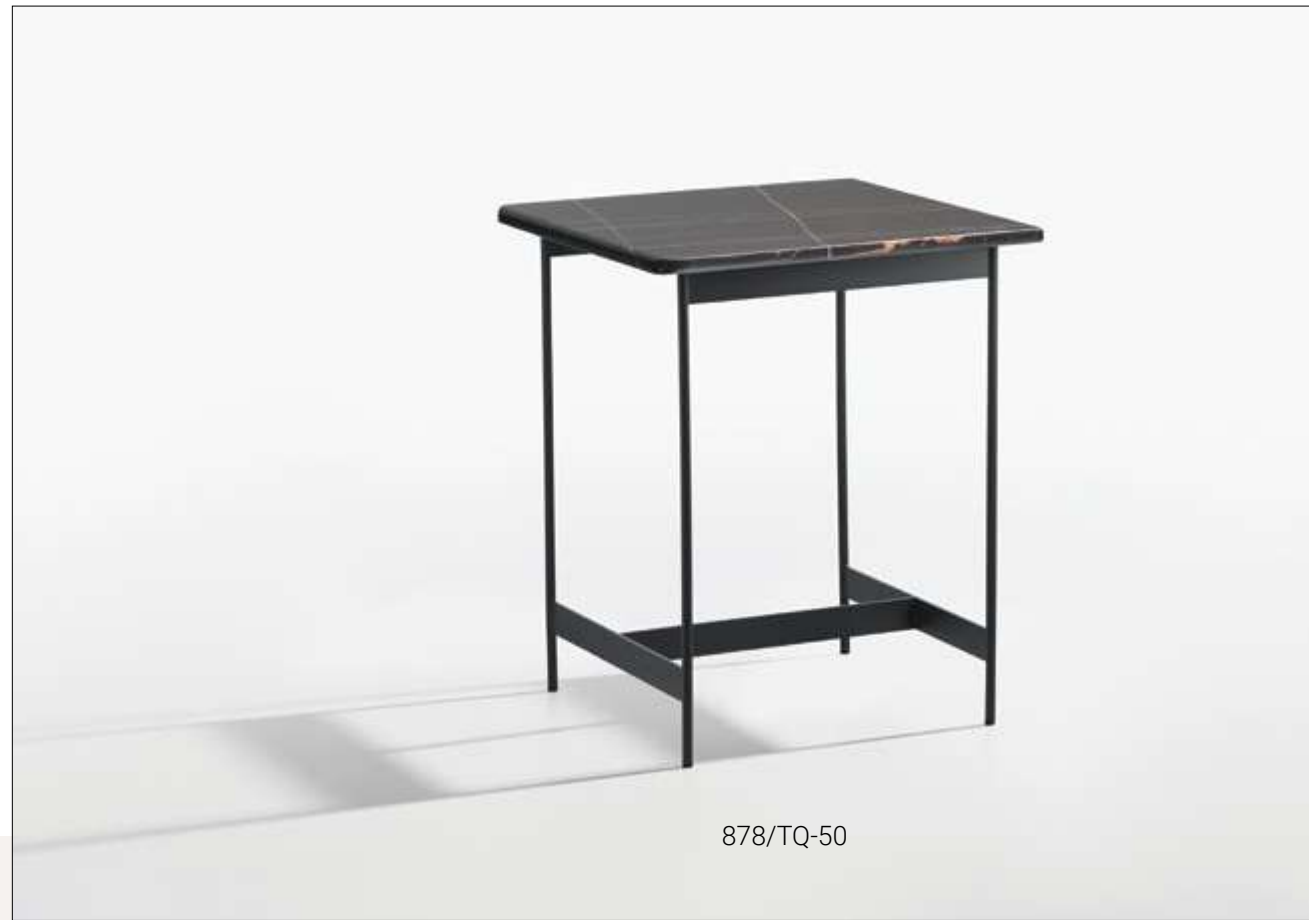
MATERIAL & FINISHES:

KUADRO TABLE WHITE 406_0020, OR WENGE LAMINATE TABLE TOP FINISH, OR SOLID LAMINATE TOP IN CFP_WHITE OR COP_WHITE OR BLACK FINISHES
 KUADRO TABLE BASE AVAILABLE IN CHROME FINISH CR AND BRUSHED CHROME ST, WHITE OR BLACK POWDER COATED FINISH
 KUADRO DESK WHITE POWER COATED FRAME AND WHITE 406_0020 LAMINATE TOP
 PANEL FINISHES AVAILABLE ON PAGE 136, FIRE RETARDANT FABRIC H60-H64.

<p>TK_27x27</p>	<p>TK_46x27</p>	<p>TK2S_70x55</p>
<p>TK_31x31</p>	<p>TK_46x31</p>	
<p>TK_35x35</p>	<p>TK_54x31</p>	<p>TK2S_133x55</p>
<p>TK_46x46</p>	<p>TK_70x35</p>	

Solid laminate top			Laminate top		Frame Finishes			
CFP_WHITE	COP_WHITE	COP_BLACK	406_0020	WENGE	CR	ST	WHITE BI100	NERO

LITTLE T



878/TQ-50



LITTLE T



878/TQ-50

878/TR

878/TQ-100

LITTLE T



878/TQ-100



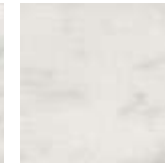
LITTLE T

MATERIAL & FINISHES:
 TOP: MARBLE OR LAMINATED PORCELAIN BLACK OSSIDO TOP
 FRAME: ANTHRACITE OR BRONZED BRASS LACQUERED METAL

MARBLE TOP



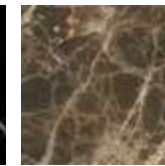
WHITE MATT CARRARA



WHITE GLOSSY CARRARA



SAHARA NOIR



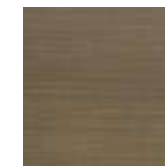
DARK EMPERADOR

LAMINATED PORCELAIN TOP

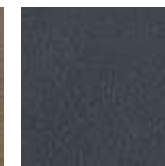


BLACK OSSIDO

METAL FRAME

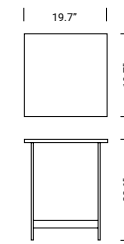


BRONZED BRASS

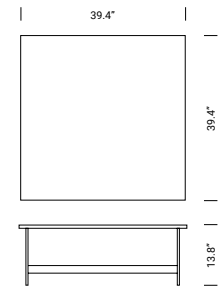


ANTHRACITE EMBOSSED

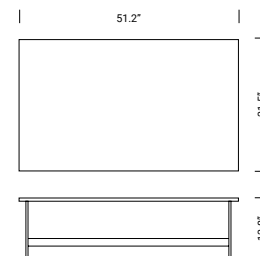
878/TQ-50



878/TQ-100



878/TR



878/TR

MATRIX tables & desks



TMS_137x63



TMC_63x19

tables & desks MATRIX



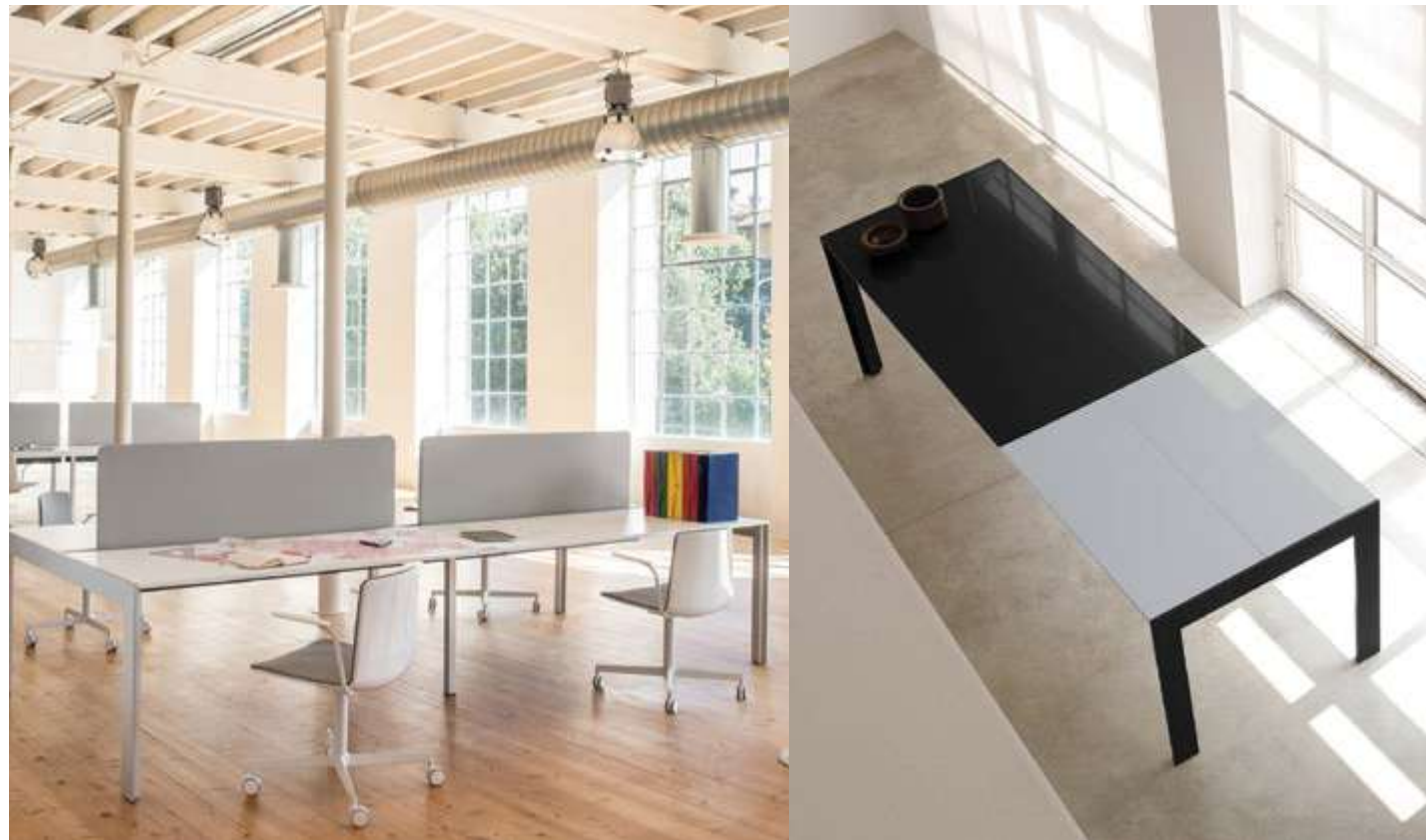
TMA_65x33



TMA_78x33

TMA_51x33

MATRIX tables & desks



tables & desks MATRIX

MATERIAL & FINISHES:
 FRAME AVAILABLE IN WHITE OR BLACK POWDER COATED FINISH OR ALUMINIUM FINISH (AA) WITH TABLE TOPS IN TEMPERED GLASS IN WHITE OR BLACK FINISHES, OR LAMINATE OR SOLID LAMINATE TOPS
 PANEL(DSP) FINISHES AVAILABLE ON PAGE 136, FIRE RETARDANT FABRIC H60-H64
 CABLE MANAGEMENT CC/DSP AVAILABLE FOR MATRIX DESKS WITH ADDITIONAL CHARGE.

<p>TMA_34x33</p> <p>FRAME IN WHITE POWDER COATED FINISH OR ALUMINIUM FINISH (AA) WITH LAMINATE TABLE TOP IN WHITE OR WENGE LAMINATE FINISH</p>	<p>TMF_33x33</p> <p>WHITE POWDER COATED FINISH BASE AND WHITE TEMPERED GLASS TOP BLACK POWDER COATED FINISH BASE AND BLACK TEMPERED GLASS TOP</p>
<p>TMA_51x33</p> <p>FRAME IN WHITE POWDER COATED FINISH OR ALUMINIUM FINISH (AA) WITH LAMINATE TABLE TOP IN WHITE OR WENGE LAMINATE FINISH WHITE POWDER COATED FINISH BASE AND WHITE TEMPERED GLASS TOP BLACK POWDER COATED FINISH BASE AND BLACK TEMPERED GLASS TOP</p>	<p>TMF_78x33</p> <p>BLACK POWDER COATED FINISH BASE AND BLACK TEMPERED GLASS TOP</p>
<p>TMA_65x33</p> <p>FRAME IN WHITE POWDER COATED FINISH OR ALUMINIUM FINISH (AA) WITH LAMINATE TABLE TOP IN WHITE OR WENGE LAMINATE FINISH WHITE POWDER COATED FINISH BASE AND WHITE TEMPERED GLASS TOP BLACK POWDER COATED FINISH BASE AND BLACK TEMPERED GLASS TOP</p>	<p>TMD_78x33</p> <p>ALUMINIUM FINISH (AA) FRAME WITH SOLID LAMINATE CFC_WHITE TOP FOR INDOOR AND OUTDOOR USE</p>
	<p>TMC_63x19</p> <p>BLACK POWDER COATED FINISH BASE AND BLACK TEMPERED GLASS TOP</p>
<p>TMS_78x63</p> <p>WHITE POWDER COATED FINISH BASE AND WHITE LAMINATE 406_0020</p>	<p>TMS_137x63</p> <p>ALUMINIUM FINISH BASE AND WHITE LAMINATE 406_0020</p>

Solid laminate top	Laminate top	TEMPERED GLASS TOP	Frame Finishes
CFC_WHITE	406_0020 WENGE	NER BIA	WHITE NERO AA

PLANO



PLANO



PLR_118x55CC

PLR_118x55CC

PLANO

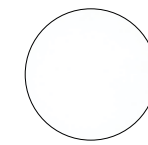


PLANO

MATERIAL & FINISHES:
 SOLID LAMINATE TOP IN WHITE FINISH CFC_BI OR COI WHITE
 FRAME / BASE: EACH TABLE TWO PIECES FOR INOX 4016 AC, INOX 4490 WHITE POWDER COATED FINISH, INOX 4491AC
CC: with cable management

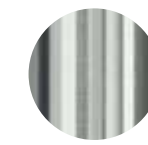
PLR_94/118/141x47/55	PLO_94/118/141x47/55	PL2_94/118/141x47
SOLID LAMINATE TOP IN WHITE FINISH CFC_BI OR COI WHITE WITH INOX 4016 AC SQUARE BASE, TWO PIECES EACH TABLE	SOLID LAMINATE TOP IN WHITE FINISH CFC_BI OR COI WHITE WITH INOX 4016 AC ROUND BASE, TWO PIECES EACH TABLE	SOLID LAMINATE TOP IN WHITE FINISH CFC_BI WITH INOX 4490 BI BASE, OR INOX 4491 AC, TWO PIECES EACH TABLE
PLR_94/118/141x47/55 CC	PLO_94/118/141x47/55 CC	PL2_94/118/141x47 CC
SOLID LAMINATE TOP IN WHITE FINISH CFC_BI OR COI WHITE WITH INOX 4016 AC SQUARE BASE, TWO PIECES EACH TABLE	SOLID LAMINATE TOP IN WHITE FINISH CFC_BI OR COI WHITE WITH INOX 4016 AC ROUND BASE, TWO PIECES EACH TABLE	SOLID LAMINATE TOP IN WHITE FINISH CFC_BI WITH INOX 4490 BI BASE, OR INOX 4491 AC, TWO PIECES EACH TABLE

Solid laminate top



CFC_WHITE

Frame Finishes



AC



BI

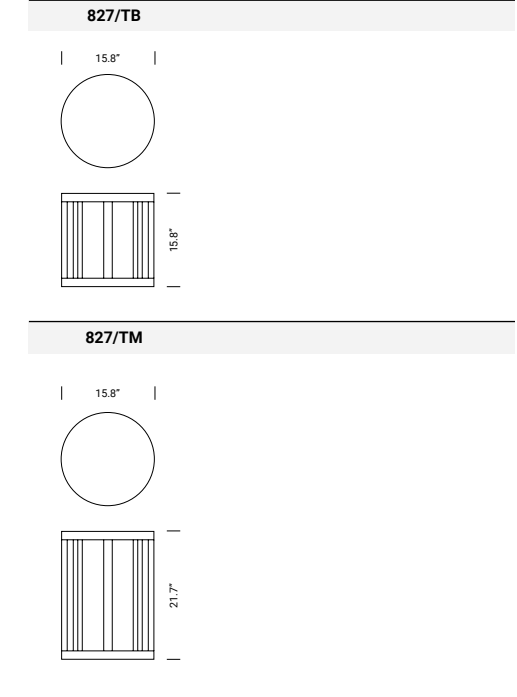
RONDO



RONDO

MATERIAL & FINISHES: SOLID OAK FRAME

OAK FRAME



TRAY



TRAY



872TC-18



872TC-22



872TC-14

TRAY



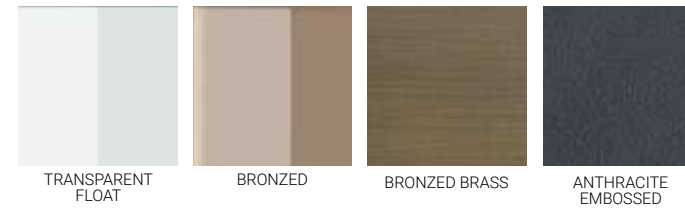
872TQ

TRAY

MARBLE TOP



LACQUERED GLASS TOP



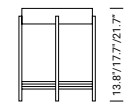
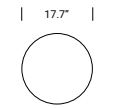
METAL BASE

ASH FRAME

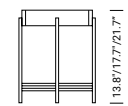
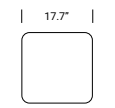


MATERIAL & FINISHES:
 TOP: LACQUERED GLASS OR MARBLE TOP
 FRAME: ANTHRACITE OR BRONZED BRASS LACQUERED METAL
 TRAY: ASH WOOD AVAILABLE IN SIX FINISHES

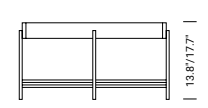
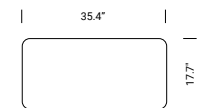
872TC-14 / 872TC-18 / 872TC-22



872TQ-14 / 872TQ-18 / 872TQ-22



872TR-14 / 872TR-18



872TQ



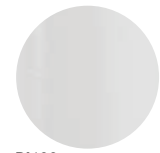
872TR



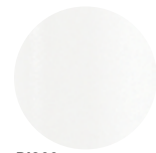
INDOOR FINISHES

POWDER COATED CAST-IRON AND STEEL

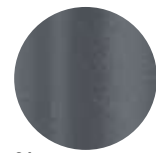
STANDARD COLORS



BI100
White,
textured-matt finish



BI300
White,
smooth-matt finish



GA
Anthracite grey,
textured-matt finish

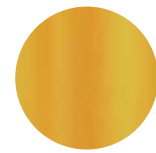


NERO
Black,
hammered-matt finish

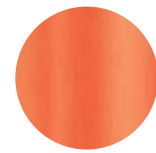
CUSTOMIZED COLORS



SA200
Sand,
textured-matt finish



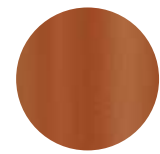
GI100
Yellow,
textured-matt finish



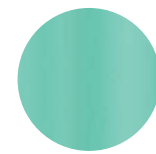
AR500
Orange,
textured-matt finish



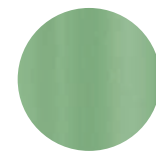
RO200
Red,
textured-matt finish



TE
Terracotta,
textured-matt finish



AZ100
Light blue,
textured-matt finish



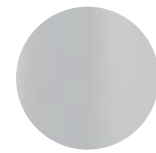
VE100
Sage green,
textured-matt finish



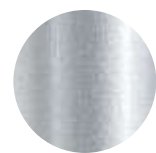
VE300
Forest green,
textured-matt finish



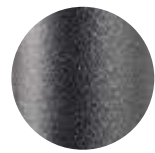
VE200
Green,
smooth-glossy finish



BE100
Beige,
textured-matt finish



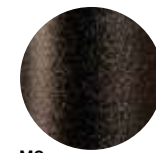
9007
Aluminium,
smooth-matt finish



GN
Natural grey,
textured-matt finish



BI200
White,
textured-matt finish



MG
Brown,
textured-matt finish



NEF
Black soft-touch,
smooth-matt finish



OUTDOOR FINISHES

POWDER COATED CAST-IRON AND STEEL

STANDARD COLORS



NPE
Black,
textured-matt finish

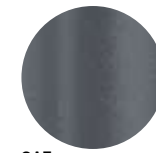
CUSTOMIZED COLORS



BI100E
White,
textured-matt finish



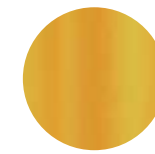
BI300E
White,
smooth-matt finish



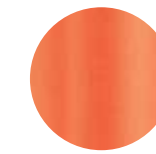
GAE
Anthracite grey,
textured-matt finish



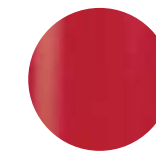
SA200E
Sand,
textured-matt finish



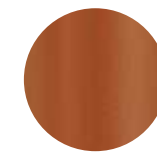
GI100E
Yellow,
textured-matt finish



AR500E
Orange,
textured-matt finish



RO200E
Red,
textured-matt finish



TEE
Terracotta,
textured-matt finish



AZ100E
Light blue,
textured-matt finish



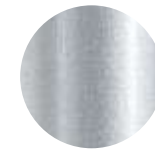
VE100E
Sage green,
textured-matt finish



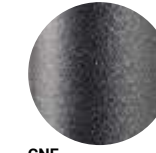
VE300E
Forest green,
textured-matt finish



BE100E
Beige,
textured-matt finish



9007E
Aluminium,
smooth-matt finish



GNE
Natural grey,
textured-matt finish

FINISHES

STEEL AND STAINLESS STEEL

STANDARD COLORS



AC
Brushed s/steel



LU
Polished s/steel
Polished aluminium

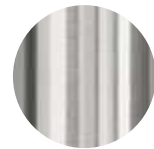


CR
Polished chrome

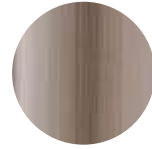


AA
Aluminium

CUSTOMIZED COLORS



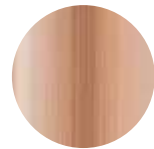
ST
Satin chrome steel



BS
Antique bronzer steel



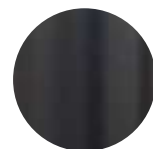
QA
Antique brass steel



RM
Antique copper steel



EC
Corten steel



TN
Titanium

BEECH



FS
Bleached beech



W
Wenge

OAK



RS
Bleached oak



W
Wenge

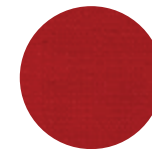
FIRE RETARDANT FABRIC



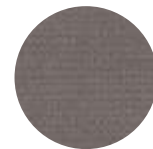
TB 117-2013



H60



H61



H62



H63



H64



AFRA
FURNITURE

Tel: 1.514.908.0048
Toll Free: 1.866.530.3581
Fax: 1.514.908.1509
info@afrafurniture.com
www.afrafurniture.com

